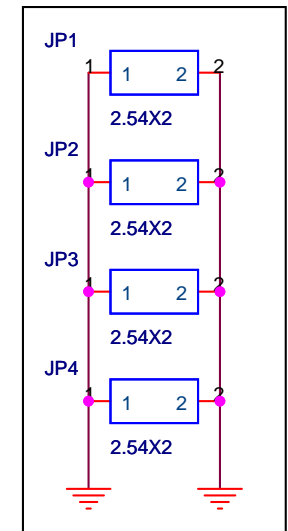
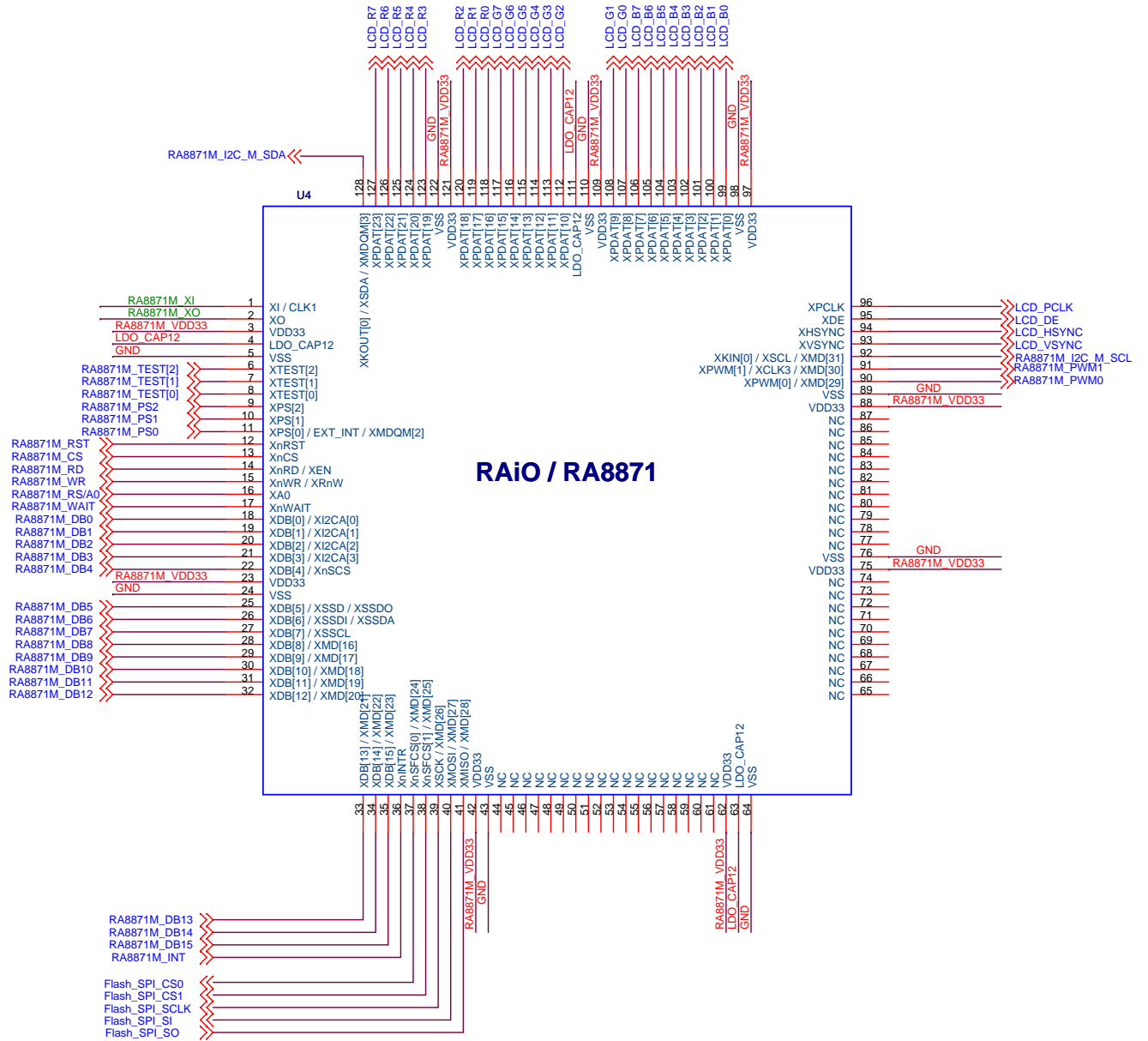
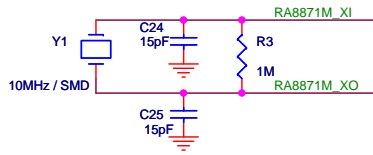
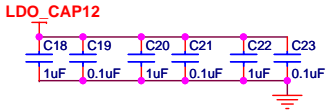
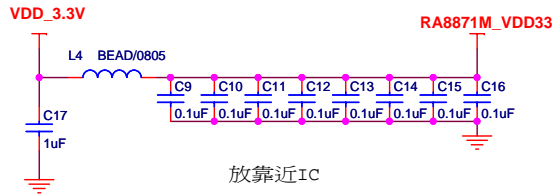


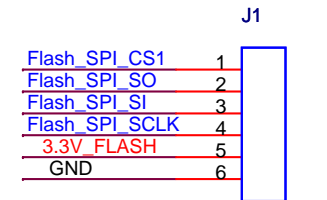
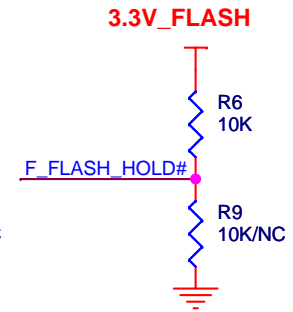
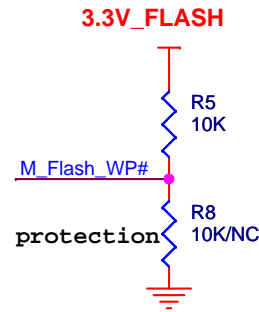
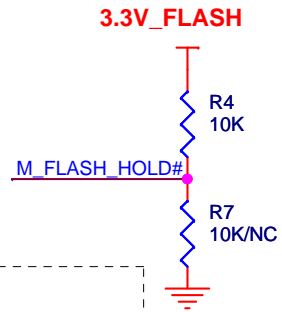
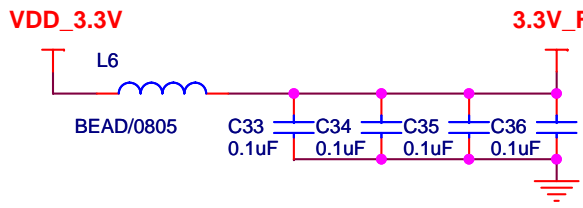
分布板子四邊



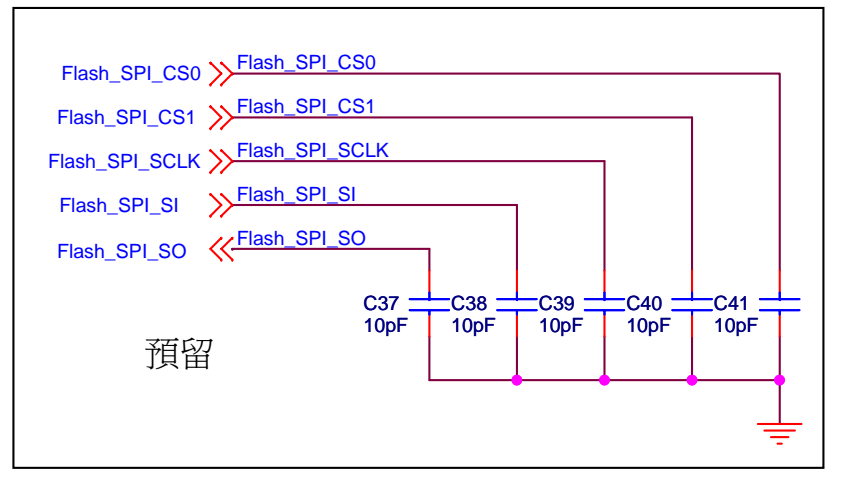
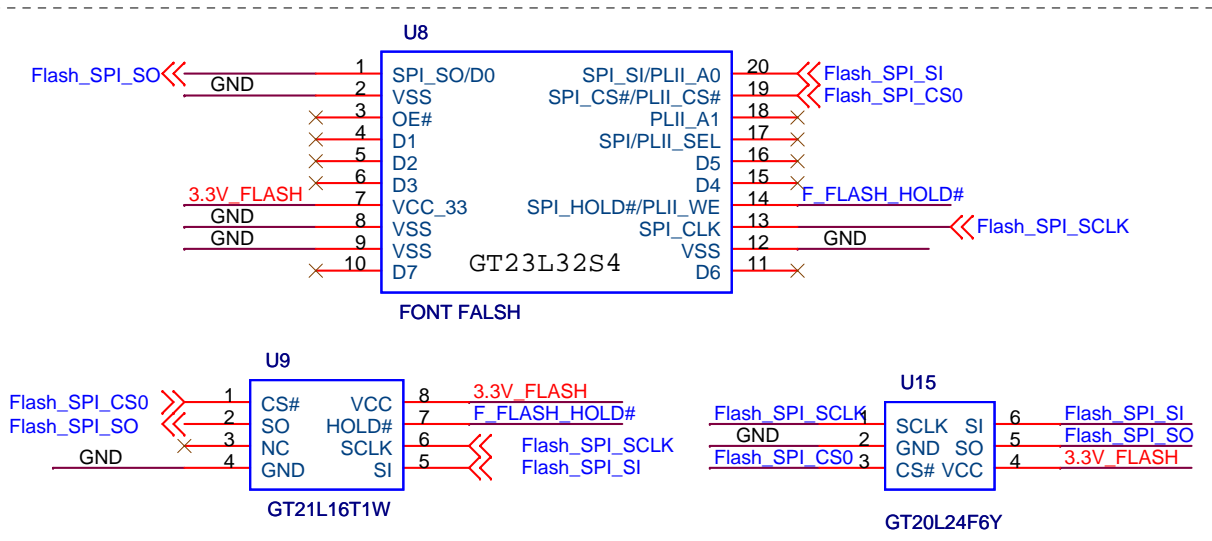
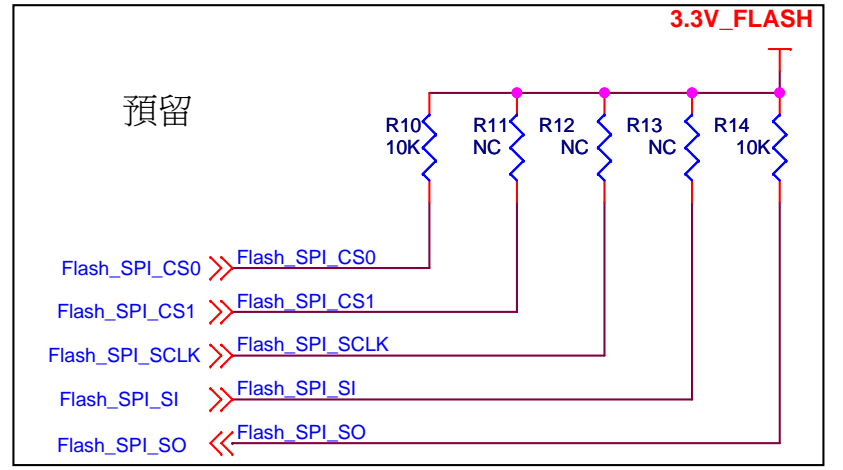
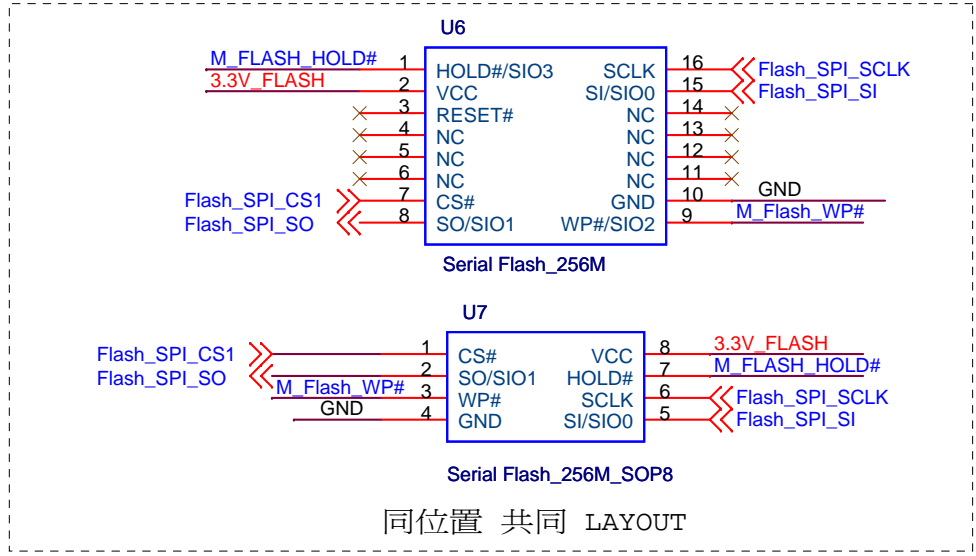
RA8871M_B_Demo Board

Size A	Document Number 01_RA8871M_VCC	Rev A
Date: Friday, January 06, 2017	Sheet 1	of 7



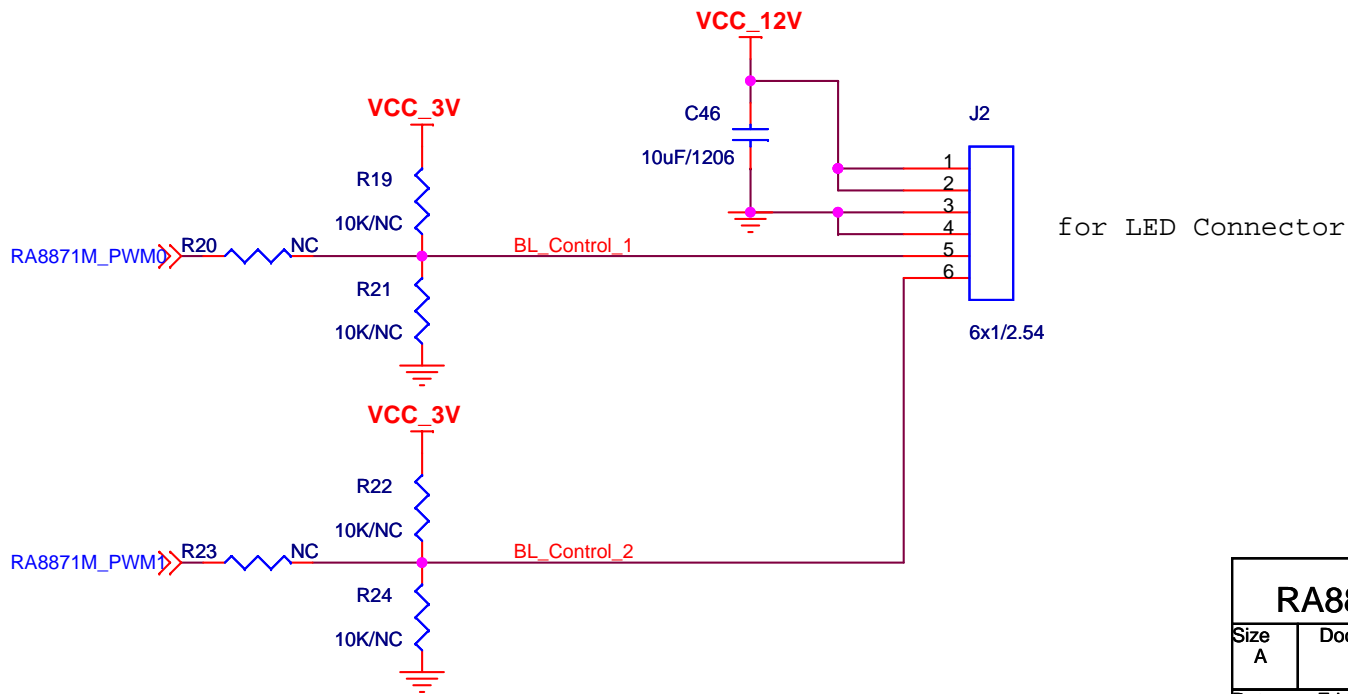
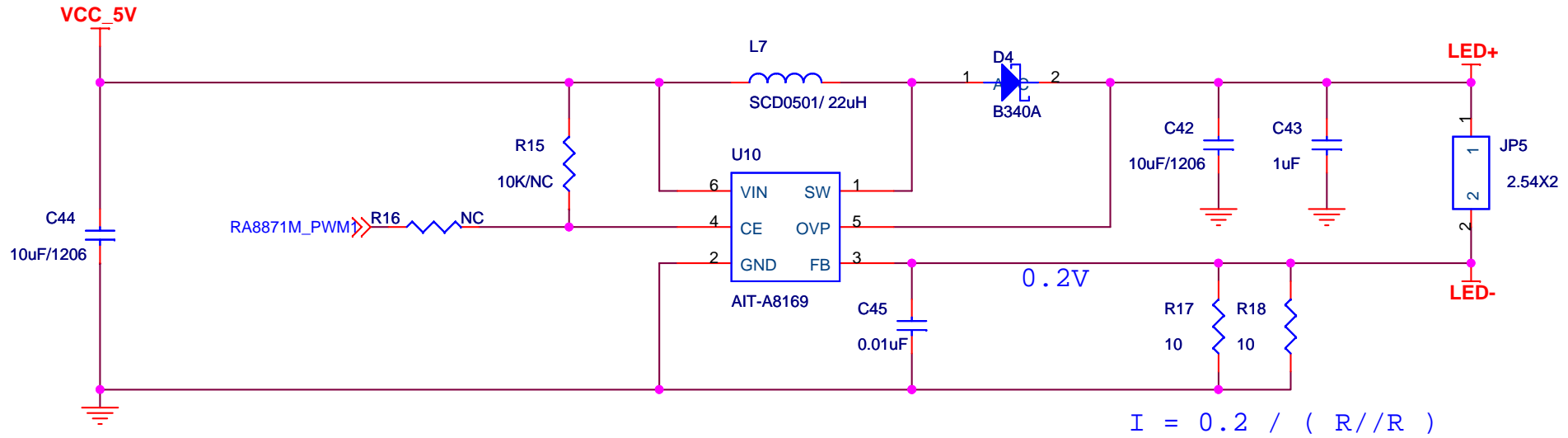


External Programming Port
2.54/6x1



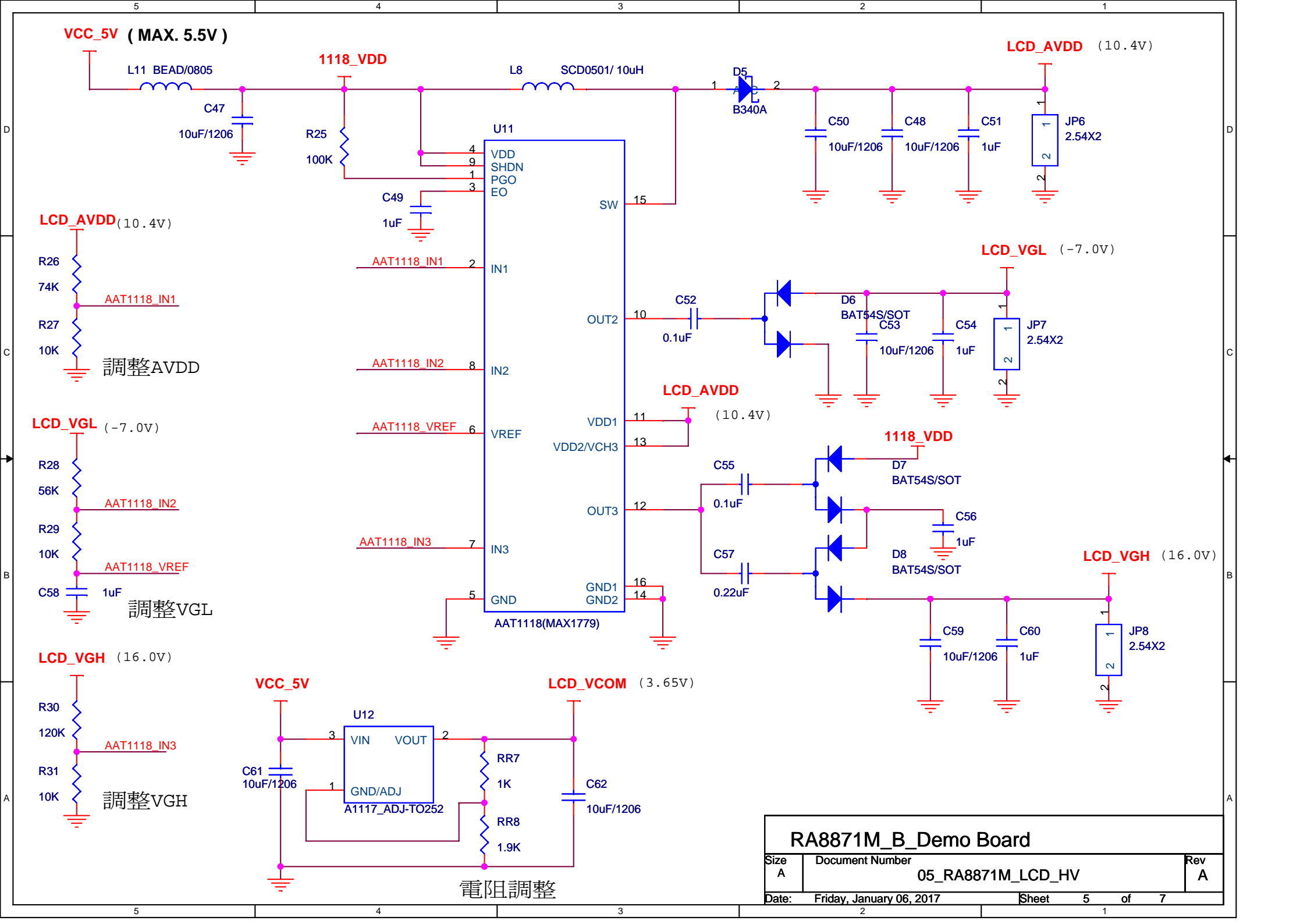
RA8871M_B_Demo Board		
Size A	Document Number 03_RA8871M_Flash	Rev A
Date:	Friday, January 06, 2017	Sheet 3 of 7

(MAX. 6.0V)

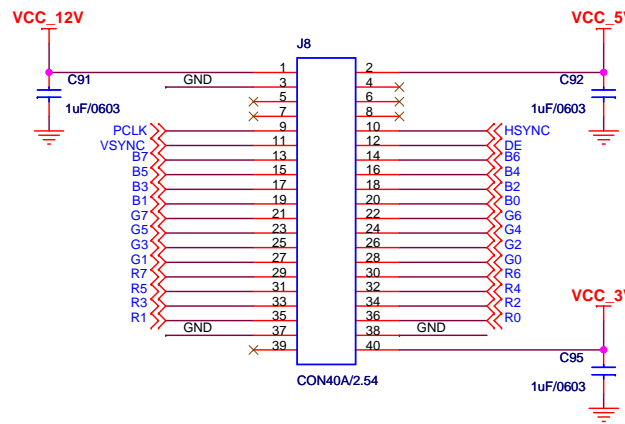
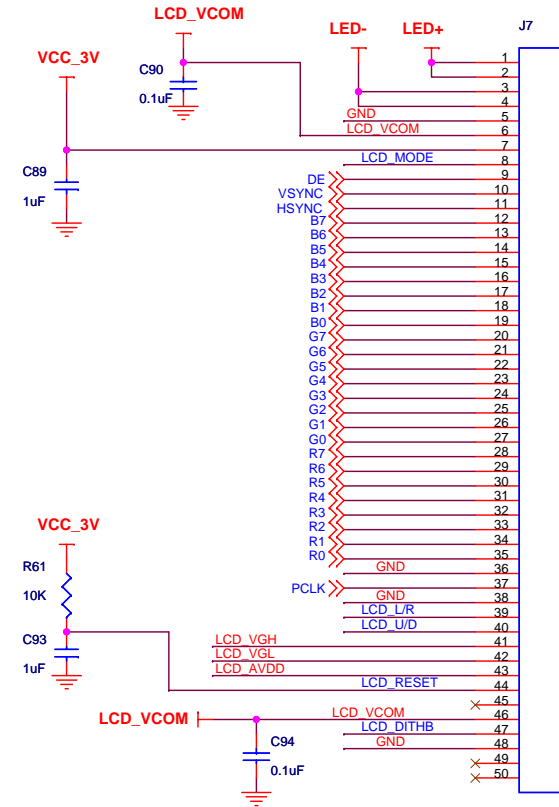
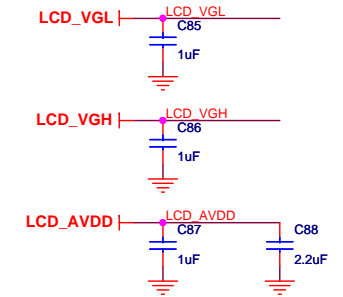
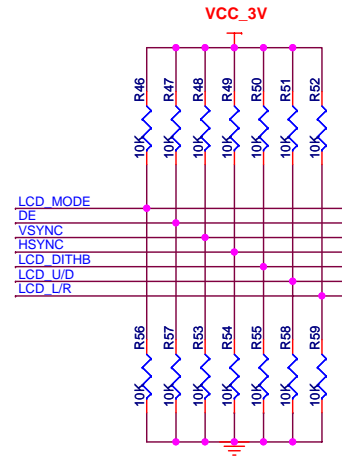
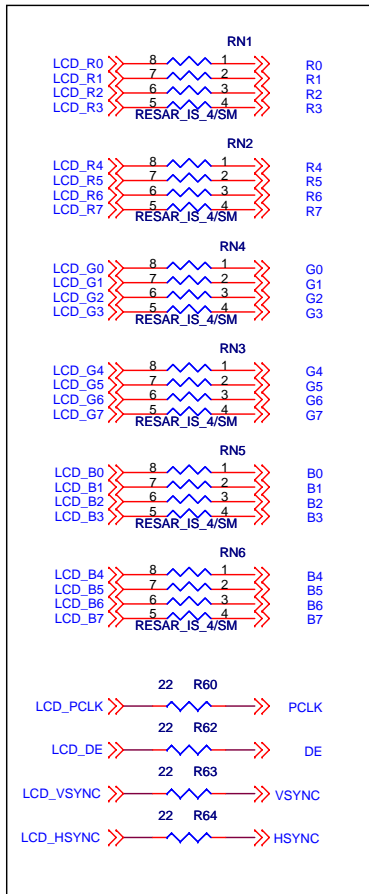


RA8871M_B_Demo Board

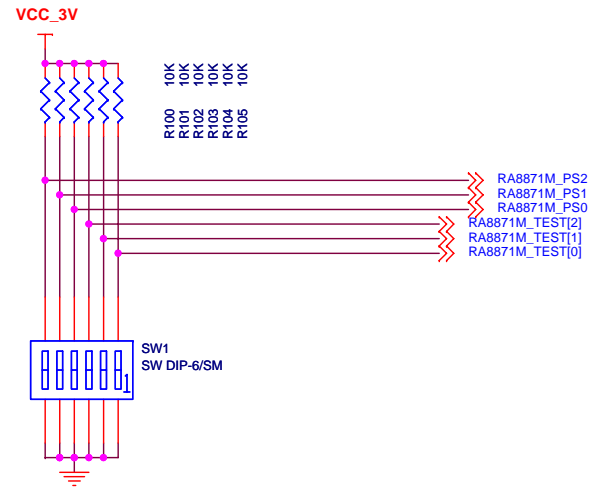
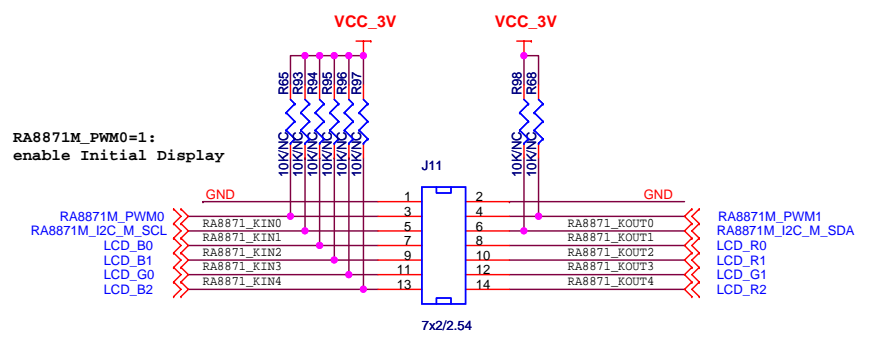
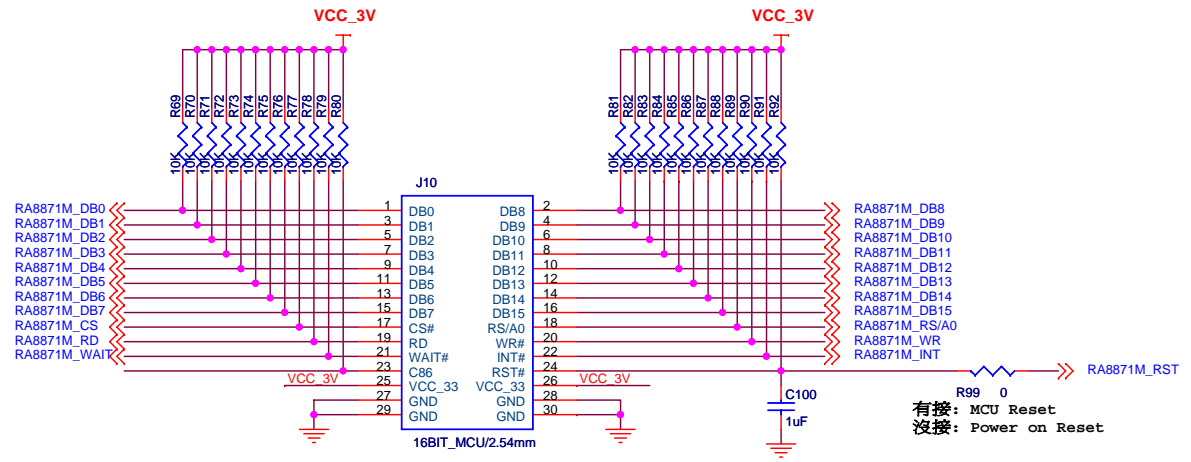
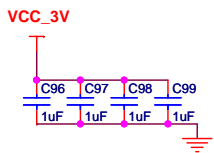
Size A	Document Number 04_RA8871M_LCD_BL	Rev A
Date: Friday, January 06, 2017	Sheet 4 of 7	



RA8871M_B Demo Board		
Size A	Document Number 05_RA8871M_LCD_HV	Rev A
Date:	Friday, January 06, 2017	Sheet 5 of 7



RA8871M_B_Demo Board		
Size B	Document Number 06_RA8871M_LCD_I/F	Rev A
Date: Friday, January 06, 2017	Sheet 6	of 7



[P.6/5/4]
 00x : 8080
 01x : 6800
 100 : 3-wire
 101 : 4-wire
 11x : I2C

RA8871M_B_Demo Board		
Size B	Document Number 07_RA8871M_MCU_I/F	Rev A
Date:	Friday, January 06, 2017	Sheet 7 of 7